

KUKJE Branson 6225H(EU)_NEC Tractor

Parts Catalogue



CONTENTS

GROUP NO	GROUP NAME	PAGE
C001-1	LEVER ACCELERATOR	5
C002-1	STEERING COLUMN	7
C002-2	STEERING COLUMN(2019.10~)	9
C004C	FRONT AXLE BRACKET	11
C009	CENTER PIN SUPPORTER	13
C010C	TIE ROD	15
C012C-1	RING GEAR, DIFFERENTIAL GEAR	17
C012C-2	RING GEAR, DIFFERENTIAL GEAR(2019.10~)	19
C015	PROPELLER SHAFT	21
C019-1	GEAR CASE, FRONT AXLE	23
C019-2	GEAR CASE, FRONT AXLE(2019.10~)	26
C020	SPACER	28
C024C-1	FORNT WHEEL & TIRE	30
C032	P.S.T CYLINDER	32
C034C	P.S.T PIPE	34
C036D-1	FLY WHEEL HOUSING	36
C038	PTO DAMPER	38
C039C-1	HST HOUSING	40
C039C-2	HST HOUSING(2019.10~)	42
C040-1	HST GEAR	44
C040-2	HST GEAR(2019.10~)	46
C041C	HST PEDAL	48
C043-2	FRONT DRIVE & RANGE SHIFT GEAR (2019.10~)	50
C043C-1	FRONT DRIVE & RANGE SHIFT GEAR - deleted page	52
C044	FRONT DRIVE & RANGE SHIFT LEVER	54
C045-1	GEAR,IND PTO SPEED CHANGE	56
C045-2	GEAR,IND PTO SPEED CHANGE(2019.10~)	59
C046-1	REAR AXLE CASE, PTO SHIFT	62
C046-2	REAR AXLE CASE, PTO SHIFT(2019.10~)	64
C047	LEVER ASS'Y, PTO SPEED CHANGE	66
C048-1	HOUSING, REAR AXLE	68
C048-2	HOUSING, REAR AXLE(2019.10~)	70
C049-1	DRIVING PART, REAR AXLE	72
C049-2	DRIVING PART, REAR AXLE(2019.10~)	75
C050-1	BRAKE	77

GROUP NO	GROUP NAME	PAGE
C050-2	BRAKE(2019.10~)	79
C052C-1	TIRE, REAR	81
C053	BRAKE, CLUTCH PEDAL	83
C054-1	SUPPORT, BRAKE	85
C054-2	SUPPORT, BRAKE(2019.10~)	87
C055	PARKING BRAKE	89
C099C	HYD PUMP	91
C101	CASE, HYD CYLINDER	93
C102	IND PTO SUPPORT	95
C104	PISTON ASS'Y	97
C108-1	SAFETY VALVE	99
C109	STOP VALVE	101
C111.1	HYD CONTROL	103
C111.2	HYD CONTROL	105
C113-1	DRAFT CONTROL	107
C114.1C-1	HYD PIPING	109
C114.2	HYD PIPING	111
C115	OIL COOLER	113
C118	HYD FILTER	115
C119C	ELE'C WIRING	117
C124.1	BATTERY	119
C125-1	SWITCH	121
C131	HORN	123
C132-1	LAMP	125
C134	METER ASS'Y	127
C135-1	BONNET	129
C135-2	BONNET(2019.10~)	131
C136.1D-1	BONNET SUPPORT	133
C137	DASH BOARD	135
C138-1	FENDER	137
C139	FOOT REST ASS'Y	139
C140-1	SEAT	141
C141C-1	FUEL TANK	143
C141C-2	FUEL TANK(2019.10~)	145
C144E-1	NAME PLATE	147

FIG C001-1

Branson 6225H(EU)
_NEC

LEVER ACCELERATOR

Year/Month

2019-12

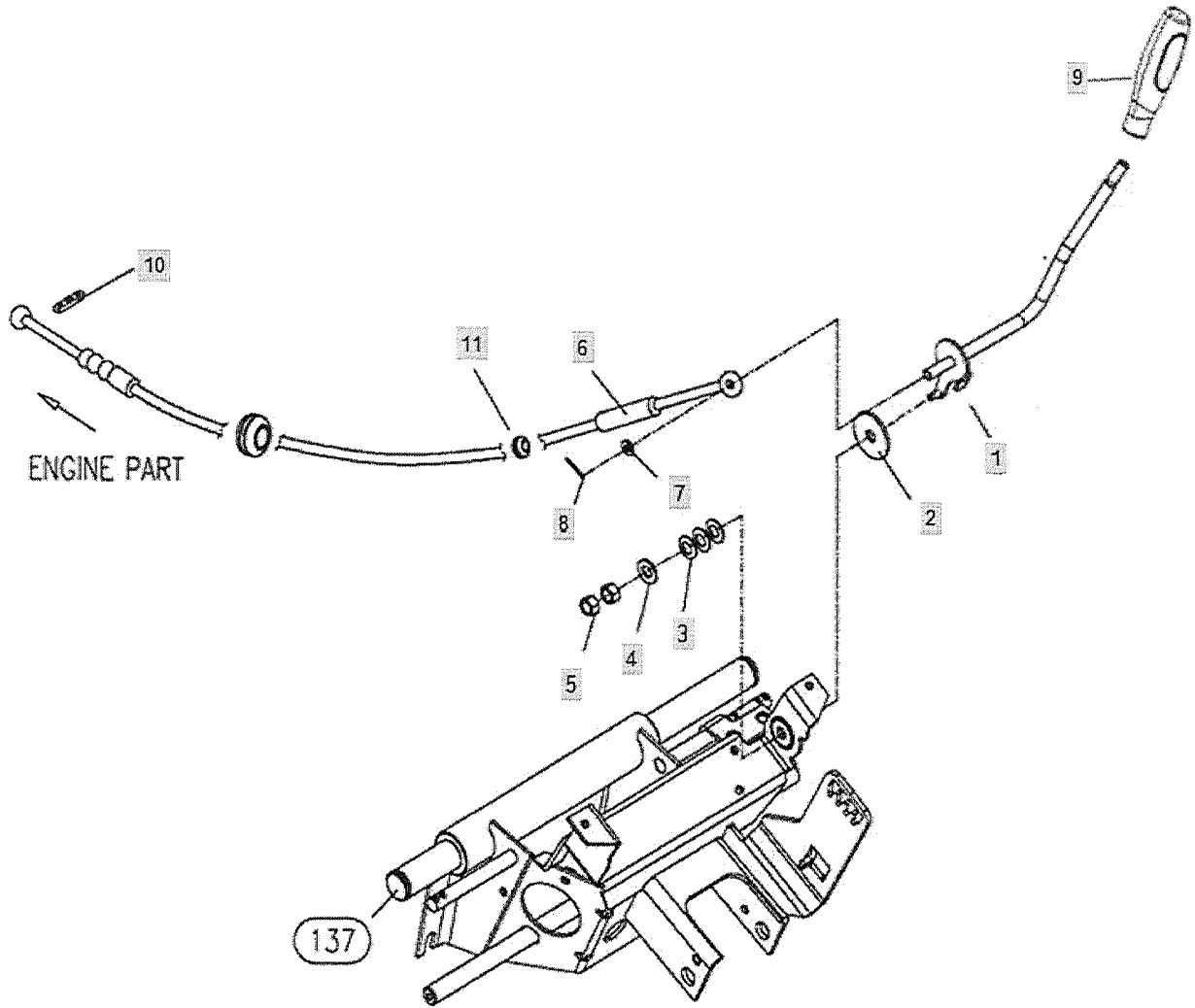


FIG C002-1

Branson 6225H(EU)
_NEC

STEERING COLUMN

Year/Month

2019-12

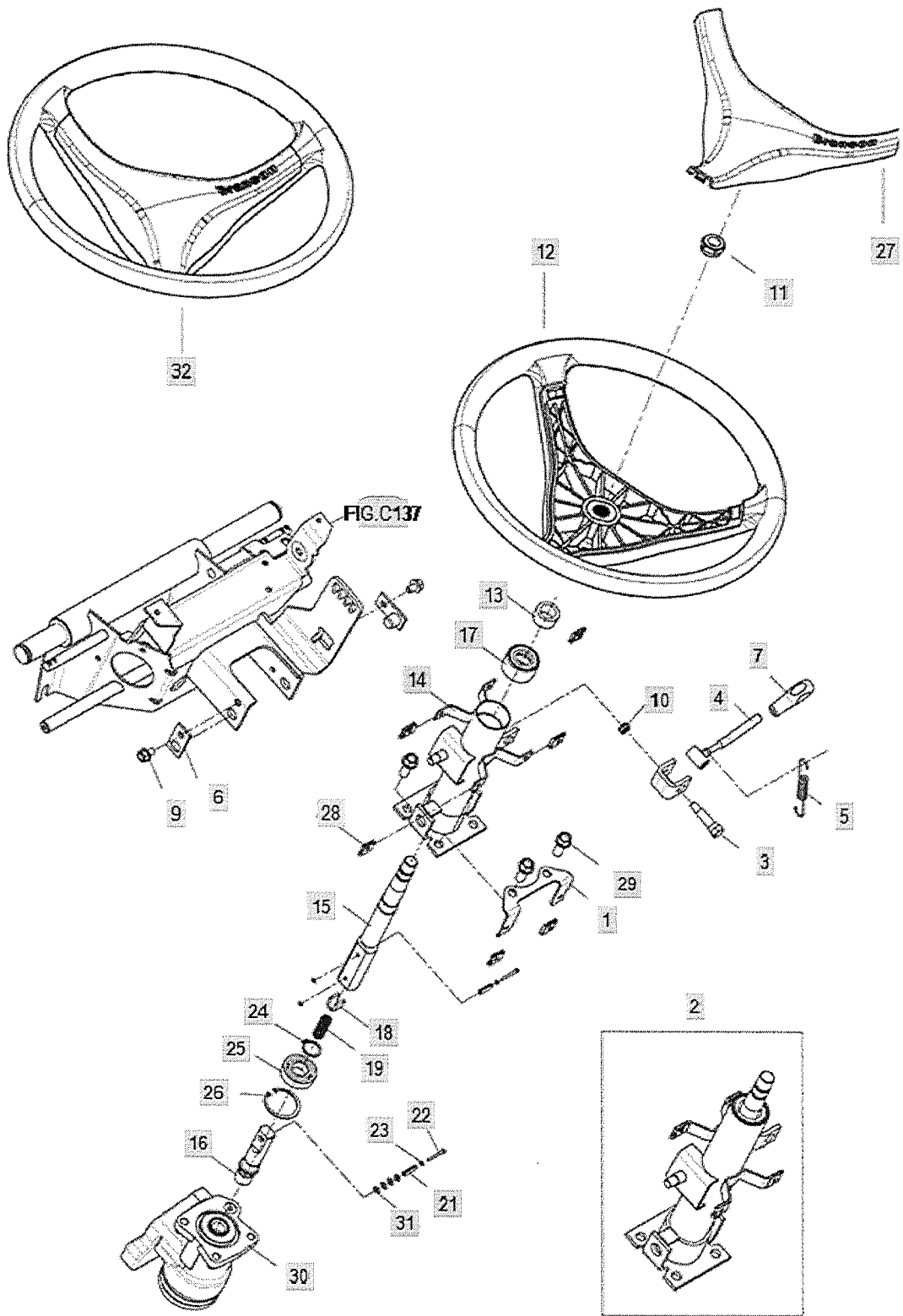


FIG C002-2

Branson 6225H(EU)
_NEC

STEERING COLUMN(2019.10~)

Year/Month

2019-12

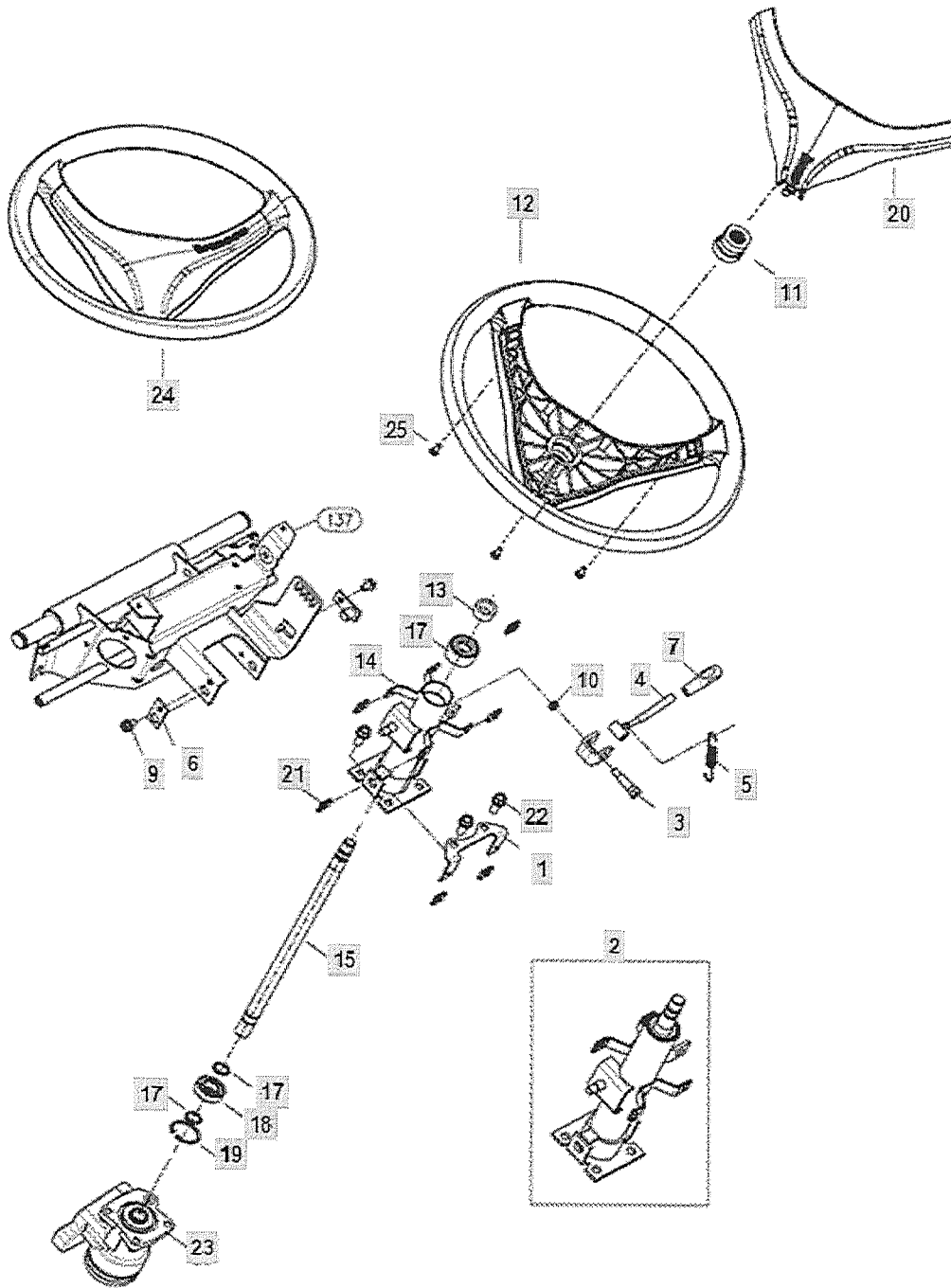


FIG C004C

Branson 6225H(EU)
_NEC

FRONT AXLE BRACKET

Year/Month

2019-12

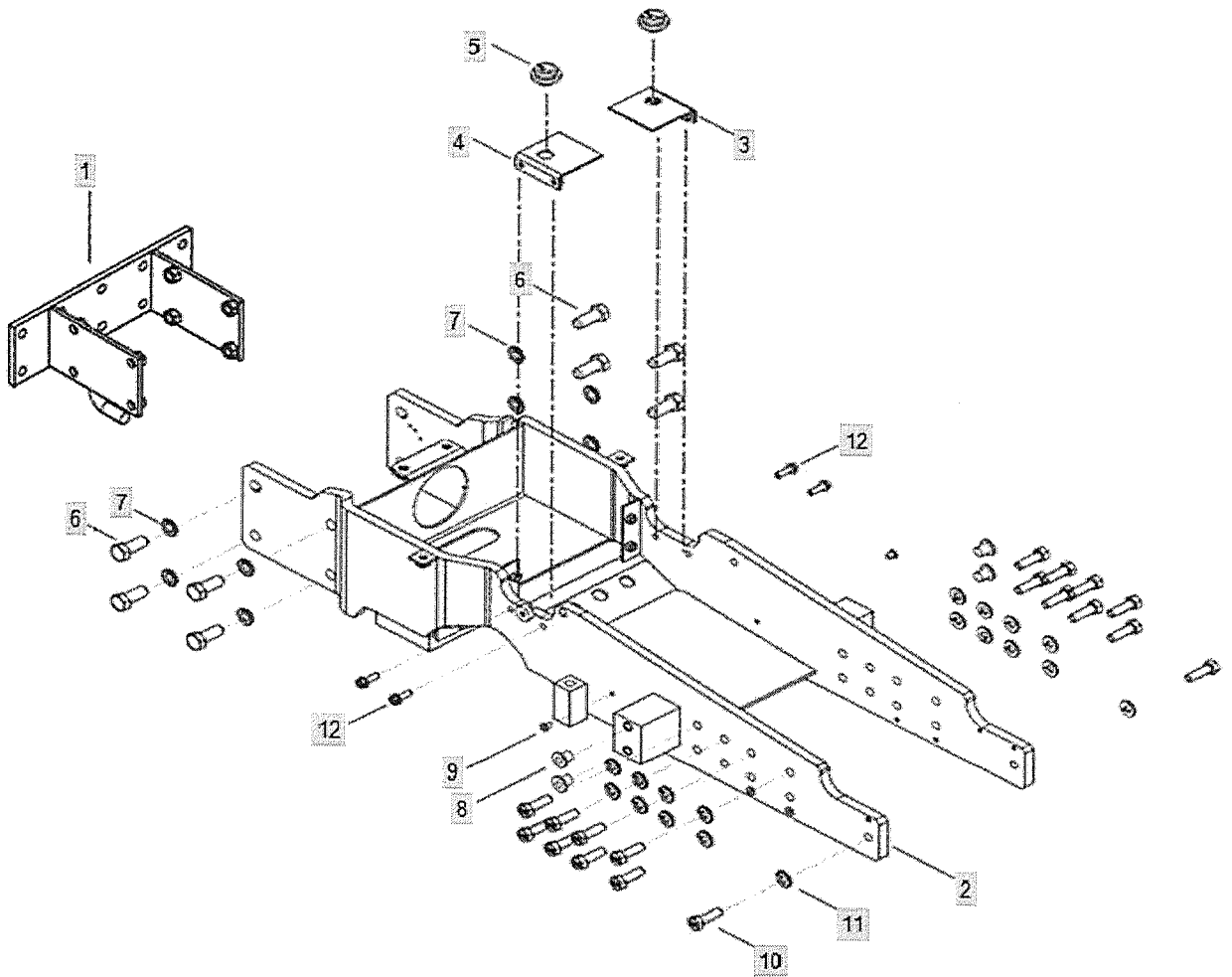


FIG C009

Branson 6225H(EU)
_NEC

CENTER PIN SUPPORTER

Year/Month

2019-12

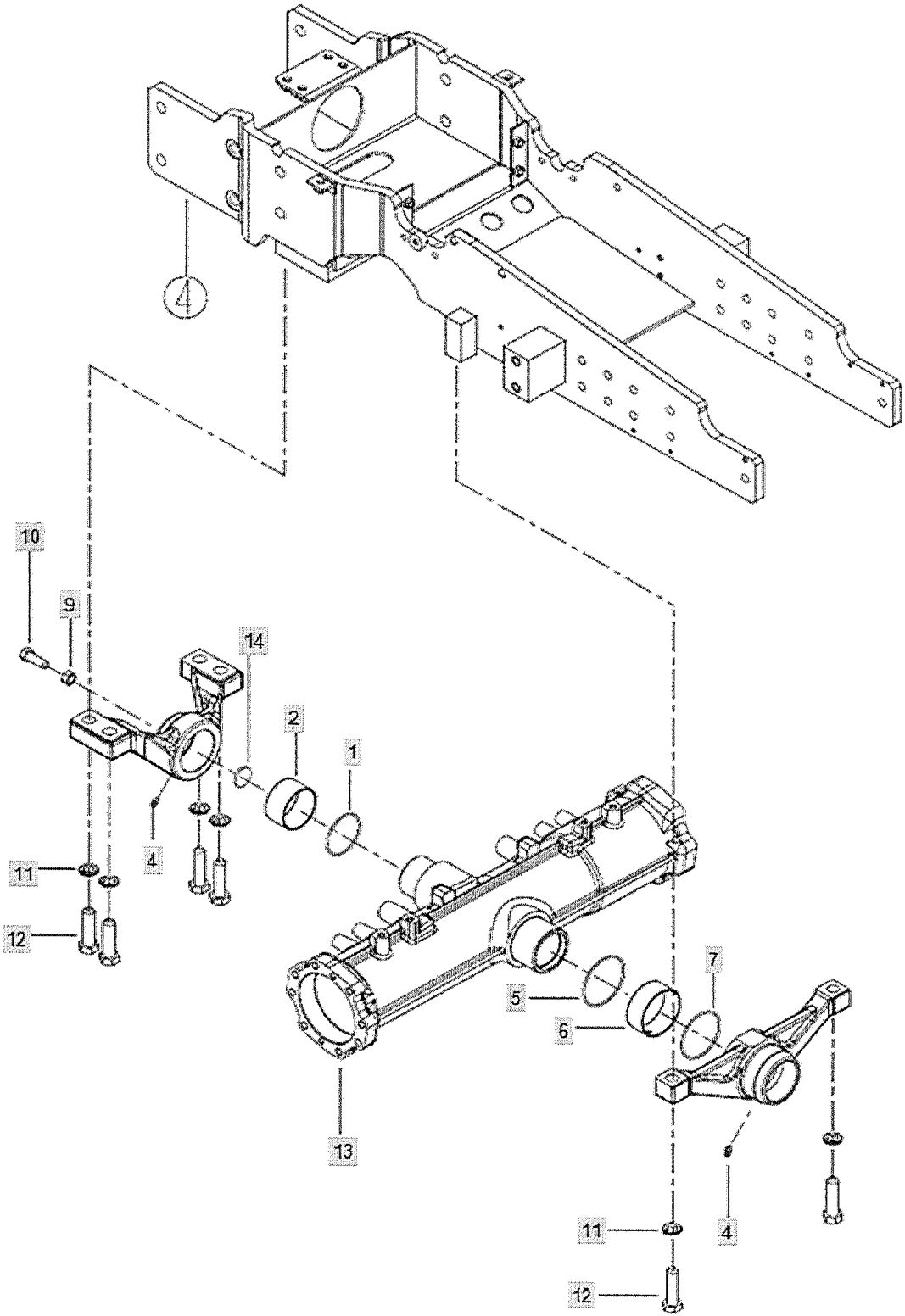


FIG C012C-1
Branson 6225H(EU)
_NEC

RING GEAR, DIFFERENTIAL GEAR

Year/Month
2019-12

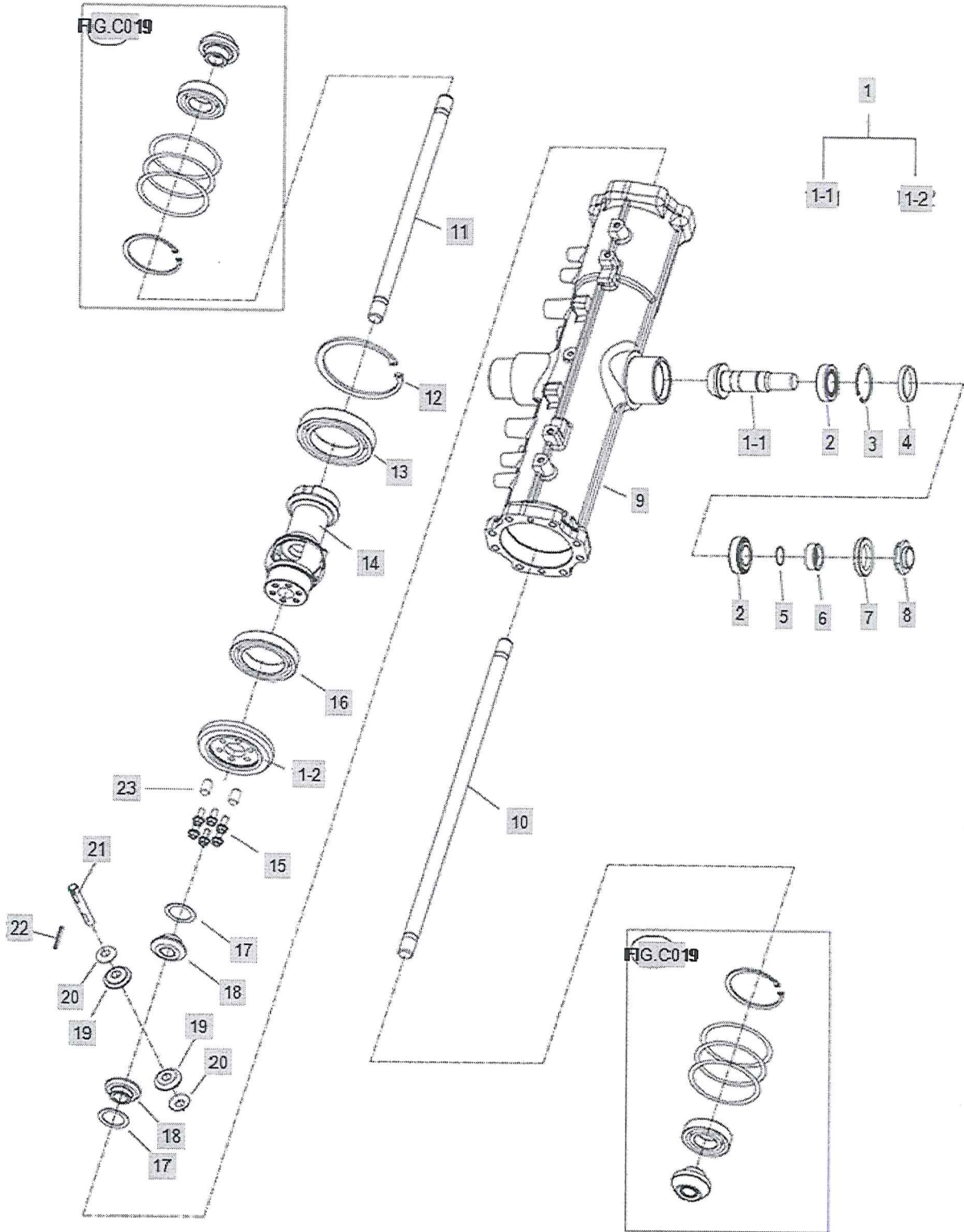


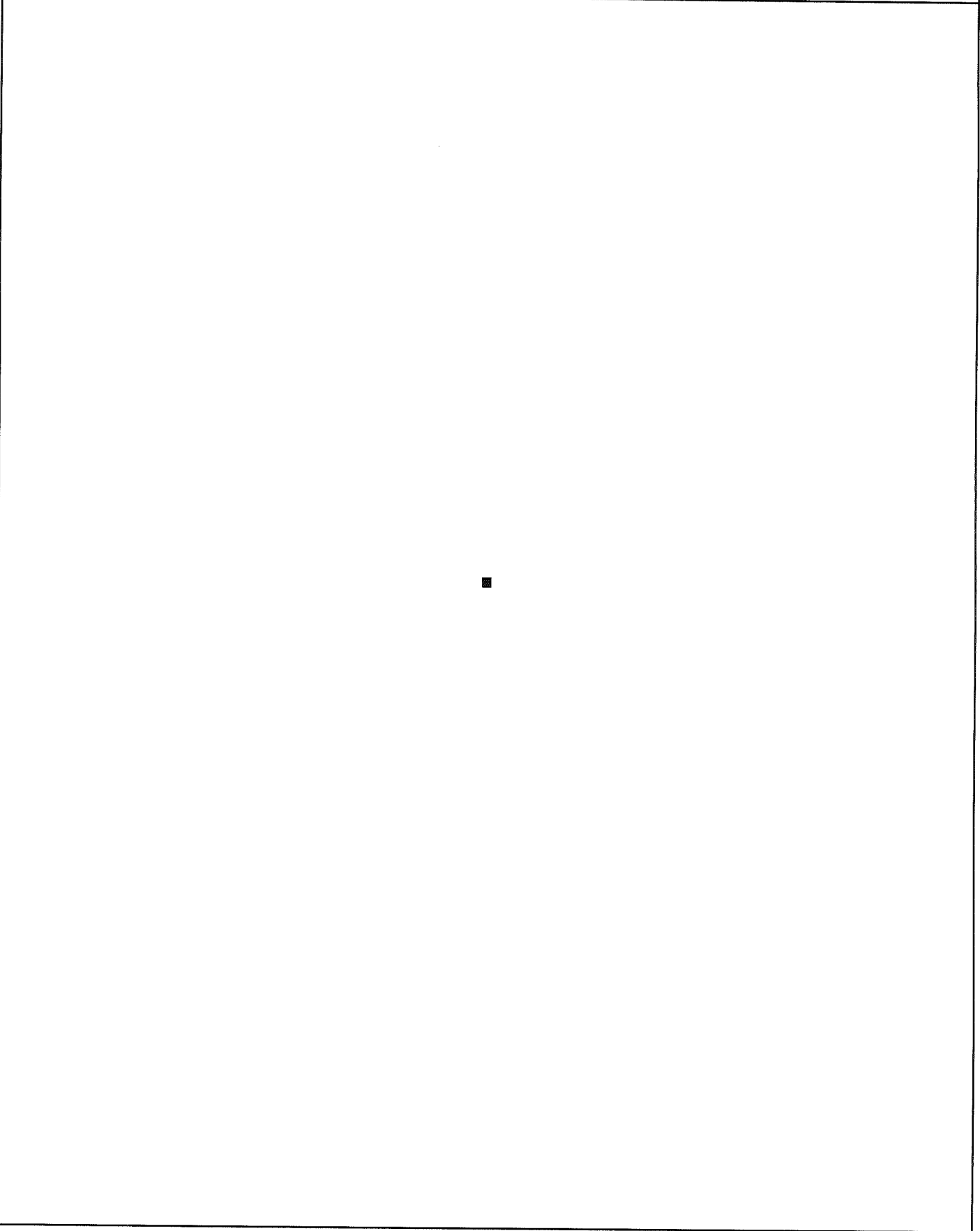
FIG C012C-2 Branson 6225H(EU) _NEC	RING GEAR, DIFFERENTIAL GEAR(2019.10~)	Year/Month
		2019-12
		

FIG C015

Branson 6225H(EU)
_NEC

PROPELLER SHAFT

Year/Month

2019-12

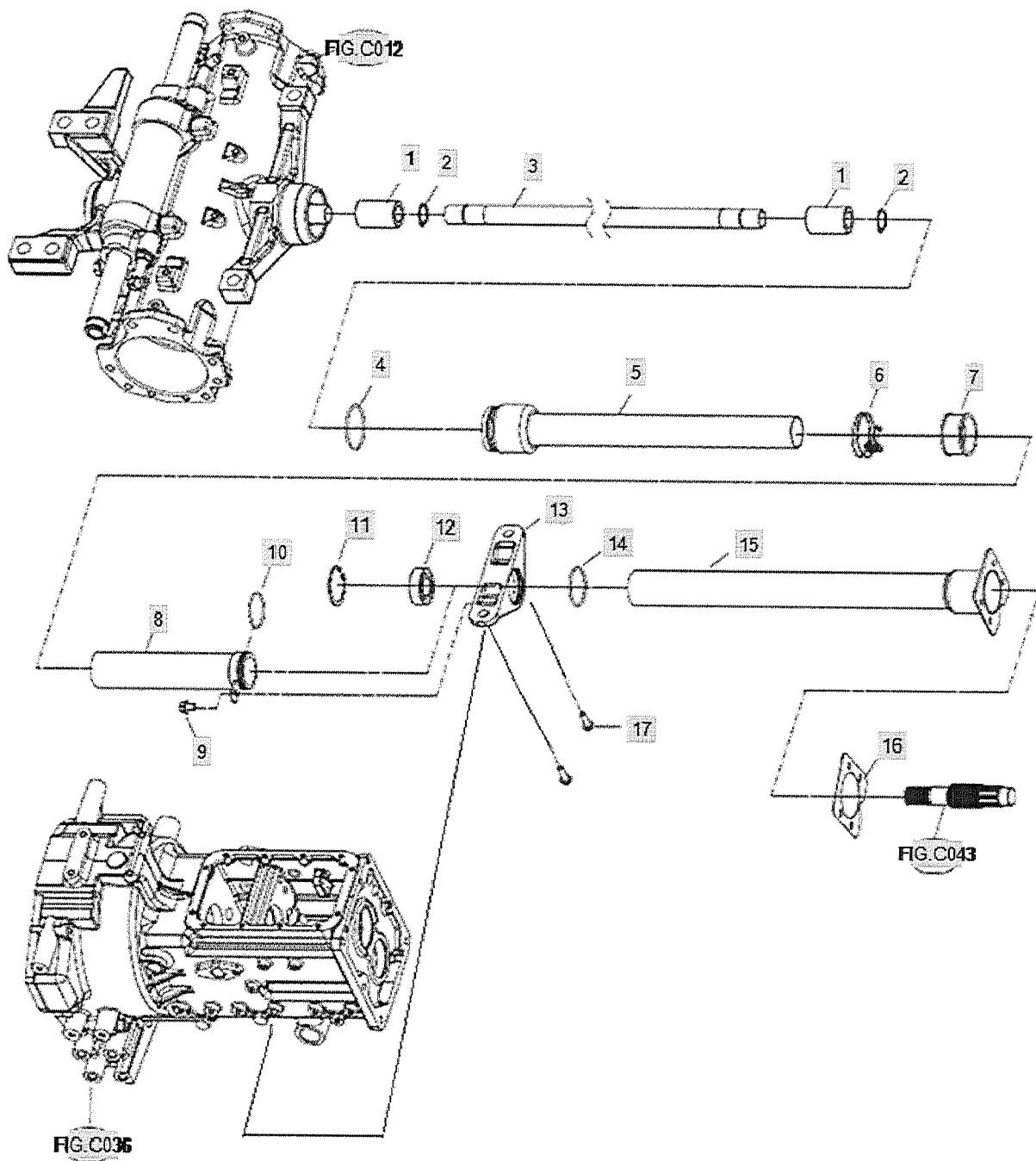


FIG C019-1

Branson 6225H(EU)
_NEC

GEAR CASE, FRONT AXLE

Year/Month

2019-12

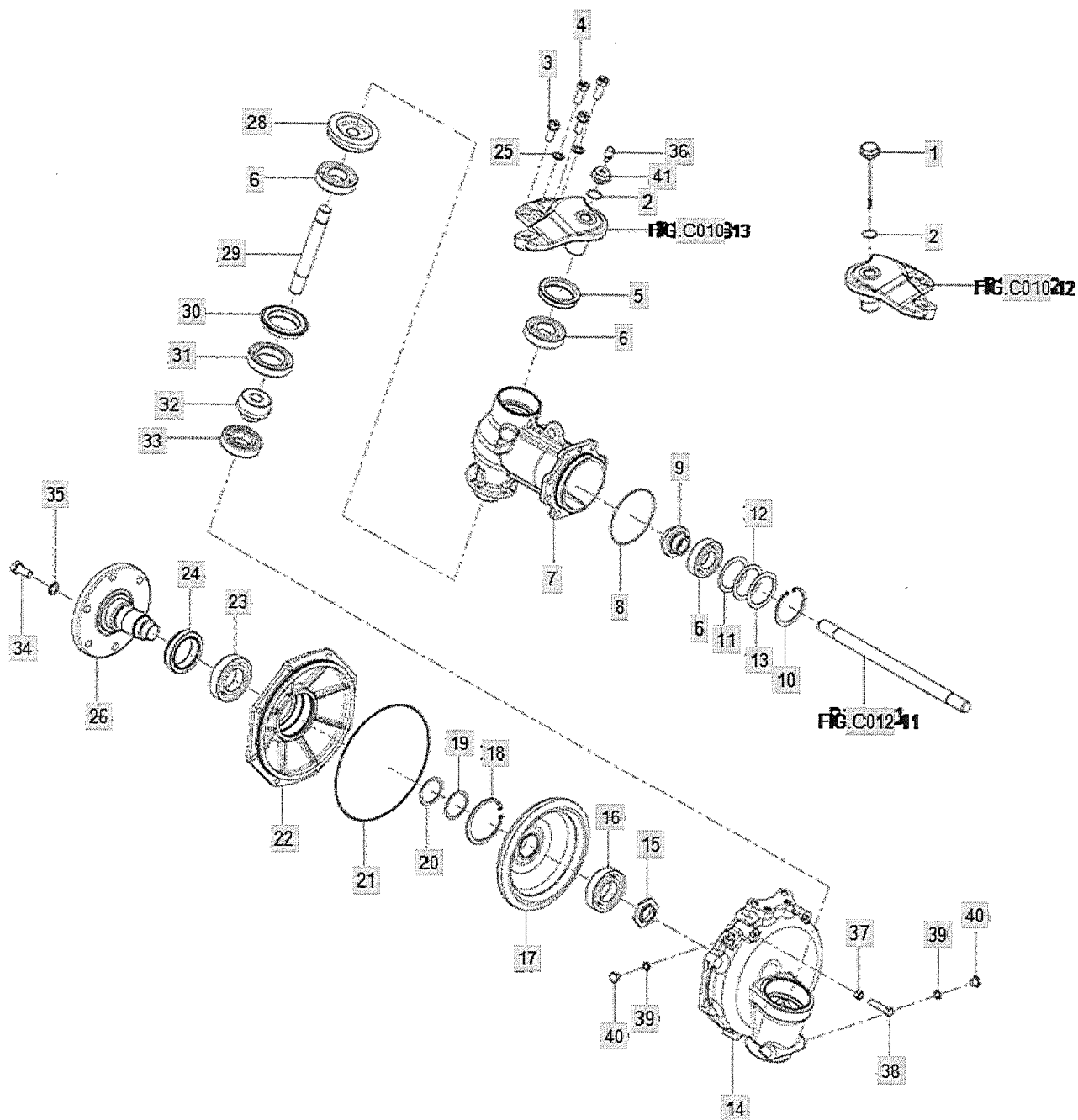


FIG C019-1		GEAR CASE, FRONT AXLE			Year/Month
Branson 6225H(EU) _NEC					2019-12
KeyNo.	Part Number	Part Name	Quantity	Other	
1	TA00033805A	OIL GUAGE	1		
1-1	TA00041646A	DIP STICK	1		
2	24311-000220	O-RING, DYNAMIC (Φ22)	2		
3	TA00033468B	BOLT W/ WASHER	4		
4	TA00033475A	RIMER BOLT	4		
5	FE78010000B	OIL SEAL (55X72X13.5)	2		
6	24101-062074	BALL BEARING (#6207)	6		
7	TA00048728A	CASE, FRONT GEAR	2		
7-1	TA00041533B	FRONT GEAR CASE L	2		
8	24321-001050	O-RING	2		
9	TA00033461A	PINION, FRONT 1ST SHAFT	2		
10	22252-000720	RING, CIRCLIP (Φ 72)	2		
11	TA00033489A	SHIM 0.2T	2		
12	TA00033488A	SHIM 0.3T	2		
13	TA00033487A	SHIM 0.5T	2		
14	TA00033458B	GEAR BOX, FRONT	2		
15	TA00033481A	LOCK NUT	2		
16	24101-062084	Bearing, Ball (#6208)	2		
17	TA00033474A	GEAR, BEVEL 49T	2		
18	22252-000850	RING, CIRCLIP (Φ 85)	2		
19	TA00033486A	SHIM 0.2T	1		
20	TA00033485A	SHIM 0.5T	1		
21	TA00033939A	O RING	2		
22	TA00033459B	BEARING CASE, FRONT	1		
23	24101-062094	BALL BEARING (#6209)	2		
24	TA00041359A	OILSEAL	2		
25	22217-120000	WASHER, SPRING (Φ 12)	2		
26	TA00033460A	SPINDLE, FRONT	2		
27	TA00033469A	BOLT W/ WASHER	16		
28	TA00033463A	FRONT 2ND AXLE LH	2		
29	TA00033464A	FRONT 2ND SHAFT	2		
30	TC60110000A3	SEAL	2		
31	24101-060104	Bearing, Ball (#6010)	2		
32	TA00033473A	GEAR, BEVEL 11T	2		
33	TC60340000A4	BEARING(TM207C3)	2		
34	TD23120000A4	BOLT	12		
35	22217-140000	WASHER, SPRING (Φ 14)	12		
36	TA00049842A	AIR BREATHER	1		
37	26716-100001	NUT	2		
38	26112-100452	BOLT	2		
39	22190-100000	WASHER	4		
40	23887-100002	SCREW,HEXAGONHEADCAP	4		
41	TA00049843A	ADAPThER	1		
FIG.C010-12	C010A		1		
FIG.C010-13	C010A		1		

FIG C019-2 Branson 6225H(EU) _NEC	GEAR CASE, FRONT AXLE(2019.10~)	Year/Month
		2019-12
[Empty content area]		

FIG C019-2		GEAR CASE, FRONT AXLE(2019.10~)			Year/Month
Branson 6225H(EU) _NEC					2019-12
KeyNo.	Part Number	Part Name	Quantity	Other	
1	TA00033805A	OIL GUAGE	1		
2	24311-000220	O-RING, DYNAMIC (Φ22)	2		
3	TA00033468B	BOLT W/ WASHER	4		
4	TA00033475A	RIMER BOLT	4		
5	FE78010000B	OIL SEAL (55X72X13.5)	2		
6	24101-062074	BALL BEARING (#6207)	6		
7	TA00048728A	CASE, FRONT GEAR	2		
8	24321-001050	O-RING	2		
9	TA00033461A	PINION, FRONT 1ST SHAFT	2		
10	22252-000720	RING, CIRCLIP (Φ 72)	2		
11	TA00033489A	SHIM 0.2T	2		
12	TA00033488A	SHIM 0.3T	2		
13	TA00033487A	SHIM 0.5T	2		
14	TA00033458B	GEAR BOX, FRONT	2		
15	TA00033481A	LOCK NUT	2		
16	24101-062084	Bearing, Ball (#6208)	2		
17	TA00033474A	GEAR, BEVEL 49T	2		
18	22252-000850	RING, CIRCLIP (Φ 85)	2		
19	TA00033486A	SHIM 0.2T	1		
20	TA00033485A	SHIM 0.5T	1		
21	TA00033939A	O RING	2		
22	TA00033459B	BEARING CASE, FRONT	1		
23	24101-062094	BALL BEARING (#6209)	2		
24	TA00041359A	OILSEAL	2		
25	22217-120000	WASHER, SPRING (Φ 12)	2		
26	TA00033460A	SPINDLE, FRONT	2		
27	TA00033469A	BOLT W/ WASHER	16		
28	TA00033463A	FRONT 2ND AXLE LH	2		
29	TA00033464A	FRONT 2ND SHAFT	2		
30	TC60110000A3	SEAL	2		
31	24101-060104	Bearing, Ball (#6010)	2		
32	TA00033473A	GEAR, BEVEL 11T	2		
33	TC60340000A4	BEARING(TM207C3)	2		
34	TD23120000A4	BOLT	12		
35	22217-140000	WASHER, SPRING (Φ 14)	12		
36	TA00049842A	AIR BREATHER	1		
37	TA00058613A	STOPER	2		
38	26112-100502		2		
39	22190-100000	WASHER	4		
40	23887-100002	SCREW,HEXAGONHEADCAP	4		
41	TA00049843A	ADAPHTER	1		
42	22217-100000	WASHER, SPRING (Φ 10)	2		

FIG C020

Branson 6225H(EU)
_NEC

SPACER

Year/Month

2019-12

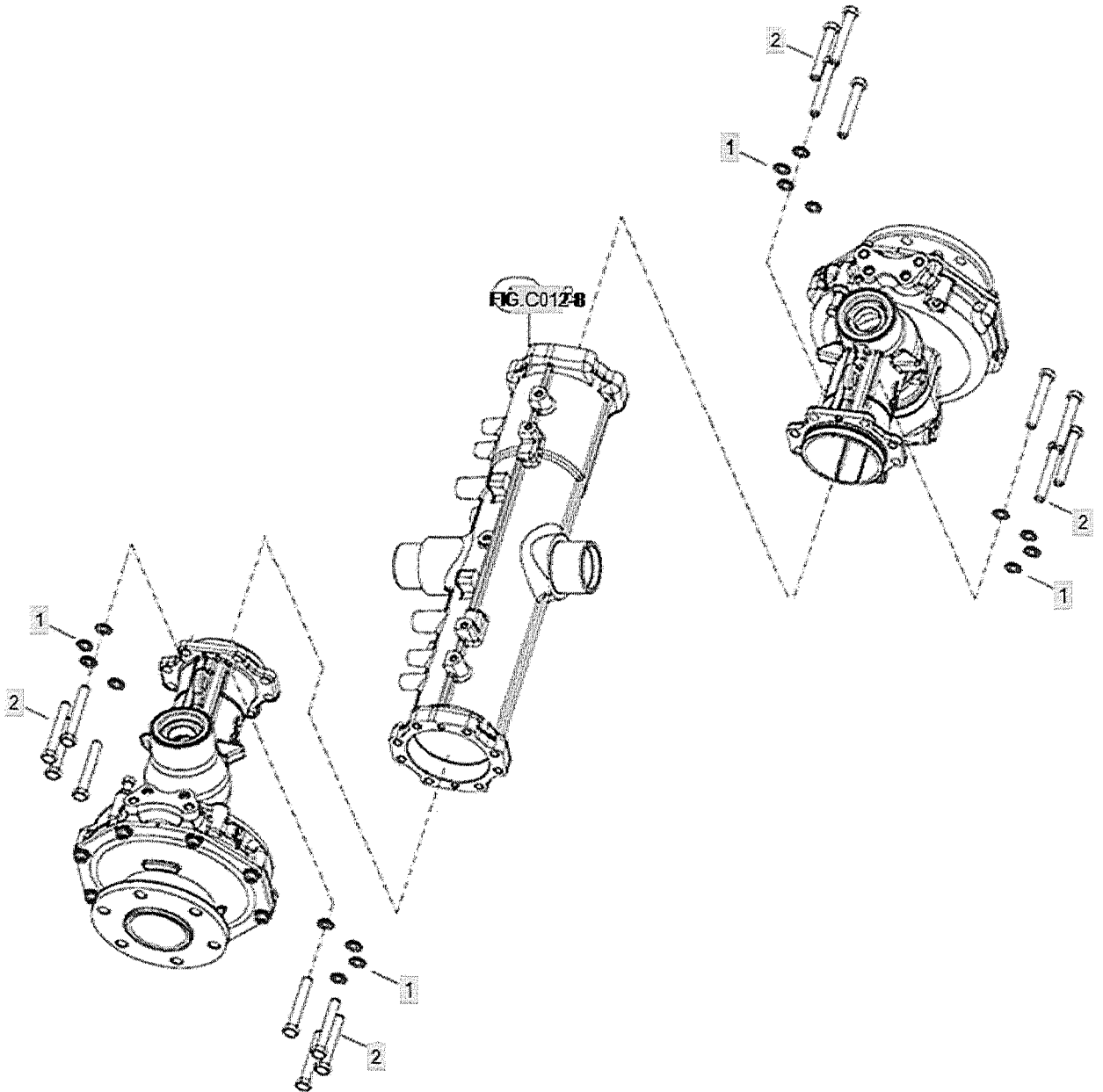


FIG C024C-1

Branson 6225H(EU)
_NEC

FORNT WHEEL & TIRE

Year/Month

2019-12

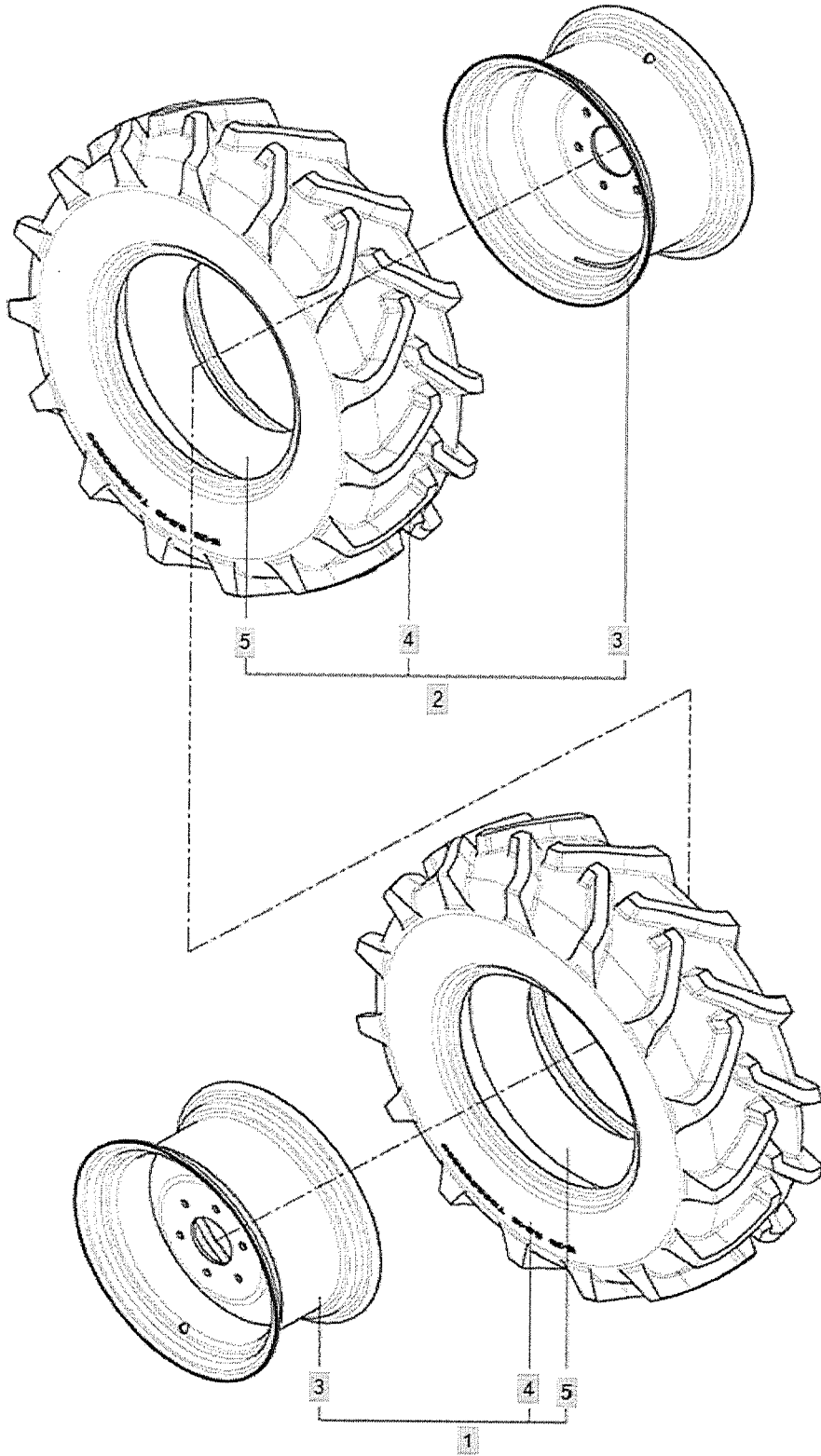


FIG C032

Branson 6225H(EU)
_NEC

P.S.T CYLINDER

Year/Month

2019-12

